

## GENERAL INFORMATION

**Project Name:** \_\_\_\_\_  
**Item:** \_\_\_\_\_  
**Quantity:** \_\_\_\_\_  
**Model:** DECO-901 \_\_\_\_\_  
**Length:** \_\_\_\_\_

## STANDARD NSF LISTED FINISH OPTIONS

- |   |  |
|---|--|
| <input type="checkbox"/> Brushed Aluminum | <input type="checkbox"/> Chrome                |
| <input type="checkbox"/> Gloss Black      | <input type="checkbox"/> Wrinkle Black         |
| <input type="checkbox"/> Smoked Copper    | <input type="checkbox"/> Polished Brass Finish |
| <input type="checkbox"/> Other _____      |  |

## GLASS OPTIONS

- |  |
|--|
| <input type="checkbox"/> 1" Radius Corner (standard)   |
| <input type="checkbox"/> Square Corners  |
| <input type="checkbox"/> 1/4" Tempered Glass (not for shelves)<br>Centerline Max 54"                 |
| <input type="checkbox"/> 3/8" Tempered Glass (for shelf or span more than 54")<br>Centerline Max 66" |
| <input type="checkbox"/> 1/2" Tempered Glass (for shelf or span more than 54")<br>Centerline Max 72" |

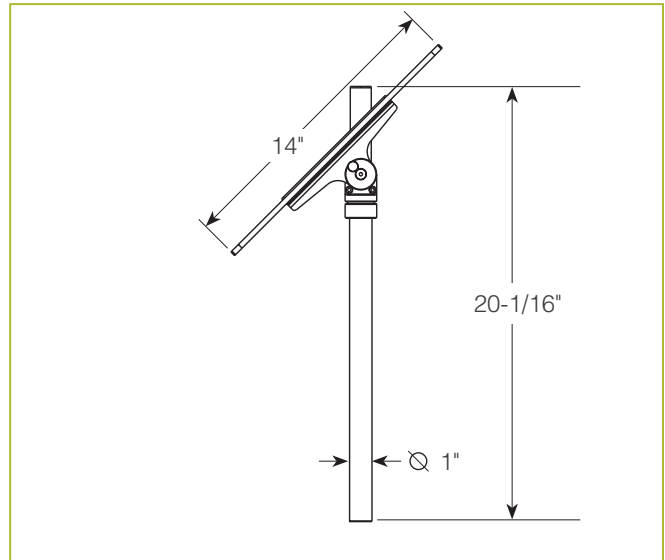
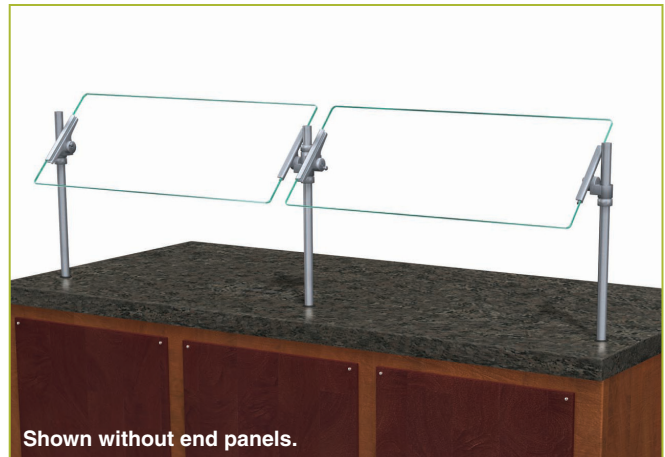
## INSTALLATION OPTIONS

**Above-Counter:** Stainless Steel Counter  
**Under-Counter:** Stainless Steel Counter  
 (Requires Under-Counter Reinforcement & Access)

**Above-Counter:** Millwork Counter  
**Under-Counter:** Millwork Counter

**See Installation Page for More Details.**

## DECO-901 Combo-Serve



To meet NSF guidelines, end panels are included on all BSI quotations unless specifically excluded. (See End Panel Page for More Details.)

- |  |
|--|
| <input type="checkbox"/> DECO Above-Counter Flange   |
| <input type="checkbox"/> SSU3-H: Heavy-Duty Flange   |
| <input type="checkbox"/> SSU3-N: Narrow Flange   |
| <input type="checkbox"/> SSU5-H: Heavy-Duty Flange   |
| <input type="checkbox"/> SSU5-N: Narrow Flange   |
| <input type="checkbox"/> DECO Above-Counter Flange   |
| <input type="checkbox"/> MWU3: Narrow Flange   |
| <input type="checkbox"/> MWU4: Compression Installation (not recommended for solid surfaces) |
| <input type="checkbox"/> MWU5: Heavy-Duty Flange   |

## \* Approval Drawings Required

Printed in the U.S.A. (December 2018) BSI, LLC  
 Specifications subject to change without notice.

Rv. 11

