

GENERAL INFORMATION

Project Name: _____
Item: _____
Quantity: _____
Model: DECO-902 _____
Length: _____

STANDARD NSF LISTED FINISH OPTIONS

- | | |
|---|--|
| <input type="checkbox"/> Brushed Aluminum | <input type="checkbox"/> Chrome |
| <input type="checkbox"/> Gloss Black | <input type="checkbox"/> Wrinkle Black |
| <input type="checkbox"/> Smoked Copper | <input type="checkbox"/> Polished Brass Finish |
| <input type="checkbox"/> Other _____ | |

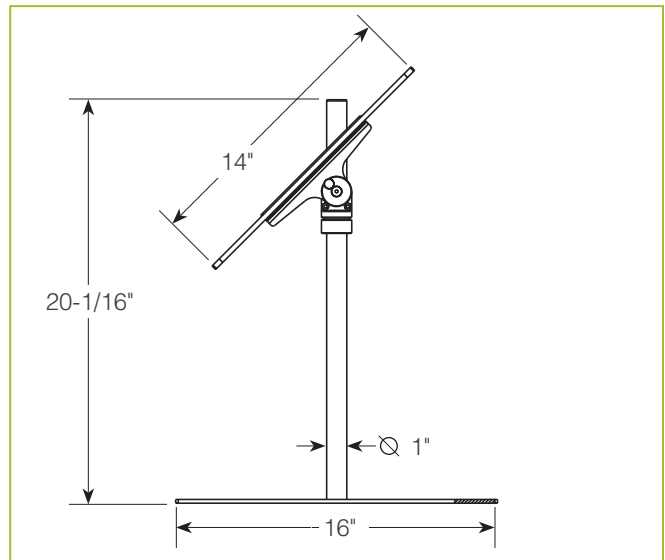
GLASS OPTIONS

- | |
|---|
| <input type="checkbox"/> 1" Radius Corner (standard) |
| <input type="checkbox"/> Square Corners |
| <input type="checkbox"/> 1/4" Tempered Glass (not for shelves)
Overall Max 47" |
| <input type="checkbox"/> 3/8" Tempered Glass (for shelf or span more than 54")
Overall Max 47" |

For overall dimension greater than 47" please call the BSI Factory.

DECO-902

Portable Market Guard



To meet NSF guidelines, end panels are included on all BSI quotations unless specifically excluded. (See End Panel Page for More Details.)

* Approval Drawings Required

Printed in the U.S.A. (December 2018) BSI, LLC
 Specifications subject to change without notice.

Rv. 11

