

GENERAL INFORMATION

Project Name: _____
Item: _____
Quantity: _____
Model: DECO-965 _____
Length: _____

STANDARD NSF LISTED FINISH OPTIONS

- | | |
|---|--|
| <input type="checkbox"/> Brushed Aluminum | <input type="checkbox"/> Chrome |
| <input type="checkbox"/> Gloss Black | <input type="checkbox"/> Wrinkle Black |
| <input type="checkbox"/> Smoked Copper | <input type="checkbox"/> Polished Brass Finish |
| <input type="checkbox"/> Other _____ | |

GLASS OPTIONS

- 1" Radius Corner (standard)
- Square Corners
- 1/4" Tempered Glass (not for shelves)
Centerline Max 54"
- 3/8" Tempered Glass (for shelf or span more than 54")
Centerline Max 66"
- 1/2" Tempered Glass (for shelf or span more than 54")
Centerline Max 72"

INSTALLATION OPTIONS

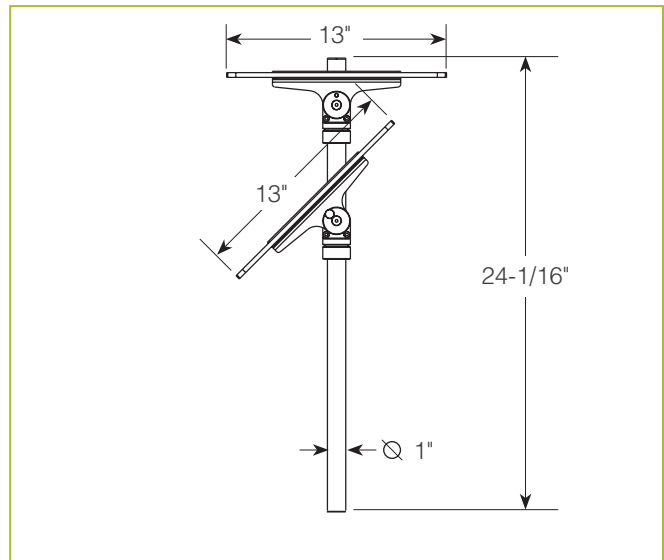
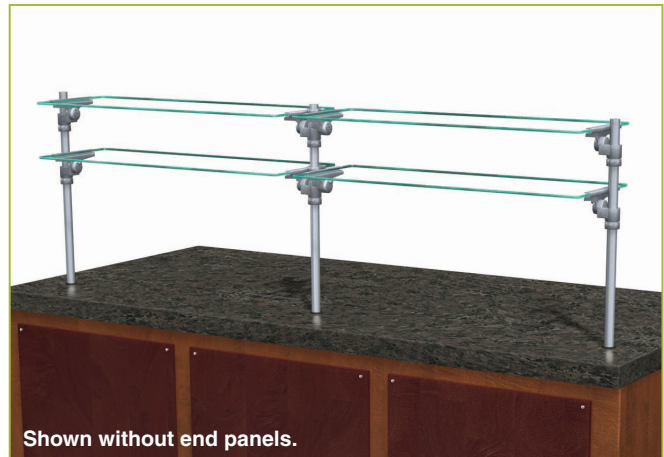
Above-Counter: Stainless Steel Counter
Under-Counter: Stainless Steel Counter
 (Requires Under-Counter Reinforcement & Access)

Above-Counter: Millwork Counter
Under-Counter: Millwork Counter

See Installation Page for More Details.

DECO-965

Self-Serve w/Top Shelf or Two-Tier Display Shelf



To meet NSF guidelines, end panels are included on all BSI quotations unless specifically excluded. (See End Panel Page for More Details.)

- DECO Above-Counter Flange
- SSU3-H: Heavy-Duty Flange
- SSU3-N: Narrow Flange
- SSU5-H: Heavy-Duty Flange
- SSU5-N: Narrow Flange
- DECO Above-Counter Flange
- MWU3: Narrow Flange
- MWU4: Compression Installation (not recommended for solid surfaces)
- MWU5: Heavy-Duty Flange

* Approval Drawings Required

Printed in the U.S.A. (December 2018) BSI, LLC
 Specifications subject to change without notice.

